



KINGSTON Class MCDV

Maritime Coastal Defence Vessel (MCDV)

MCDV's are designed to help the Canadian Navy meet coastal defence mandates in the area of national sovereignty. The fleet of 12 MCDV's (6 per coast) are crewed primarily by reservists. This class of ship provides the navy with a dedicated coastal defence capability, and has given the Naval Reserve a challenging mission.

Although MCDV's primary mission is coastal surveillance, the ships perform a wide variety of operational tasks including; mine countermeasures, search and rescue, control of shipping, support to other government departments in the areas of law enforcement, anti-smuggling, resource protection, fisheries and environmental monitoring, counter-terrorism, disaster relief and scientific research. In addition, interchangeable modular payloads provide mine counter measures (MCM) capabilities including mine-sweeping and mine hunting.

Speed:
15 knots

Endurance:
5,000 nautical miles
at 8 knots

Complement:
40

Standard Displacement:
970 tonnes

Length:
55.3 metres

Beam:
11.3 metres

Draught:
3.4 metres

Armament:
Bofors 40mm gun,
heavy (.50 calibre)
machine guns

About the Model

Paper ship modeling was very popular in the late nineteenth and early twentieth centuries, but in the 1920's began to wane in popularity, as competition came from mass produced wooden model kits and metal toys. In the 1940's, wartime shortages of wood, metal, and labor led to a resurgence of production of paper models, particularly warships, airplanes and tanks. In the post-war years, competition from plastic and wood models once again pushed paper models into near-obscurity, although paper models remained popular in former Eastern Block countries.

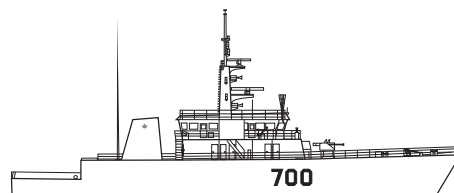


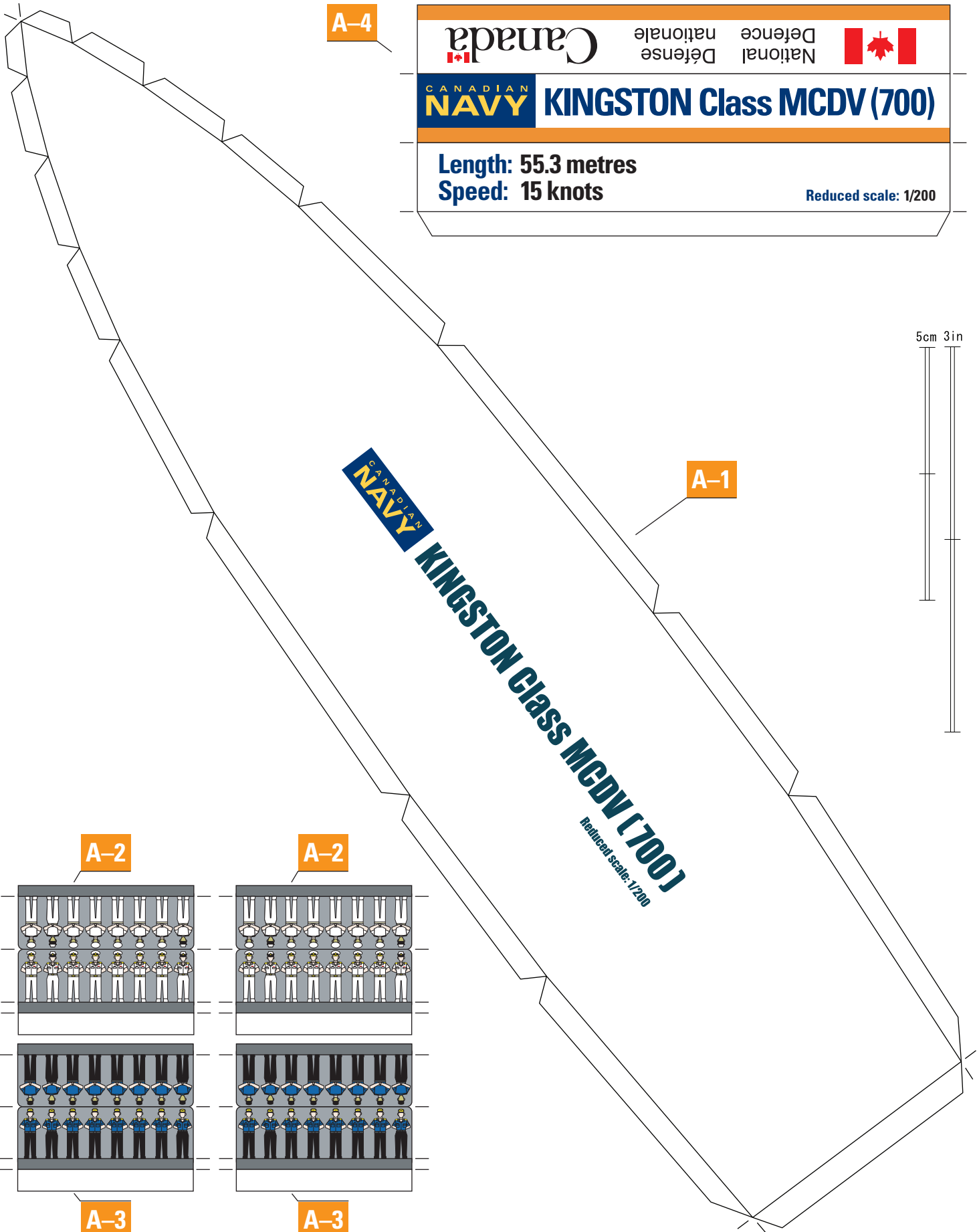
Recently, the combination of the Internet and the low cost of colour inkjet printers have created a renaissance in the interest and practicality of paper models.

Please be sure to download and print the separate advanced skill model kit document instruction pages, as this document only provides the parts for the model.

The KINGSTON Class model presented here should be printed out on heavy-weight (28-32 lb) paper. Light cardstock may be used, but cutting and folding might be more difficult.

If you are printing the Acrobat (PDF) version, be sure to set the Page Scaling option to "None", to ensure each page prints at the same relative scale.





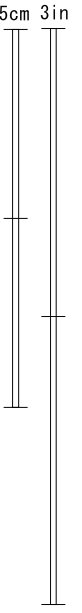
A-4

Canada
National Defence / Défense nationale

CANADIAN NAVY KINGSTON Class MCDV (700)

Length: 55.3 metres
Speed: 15 knots

Reduced scale: 1/200



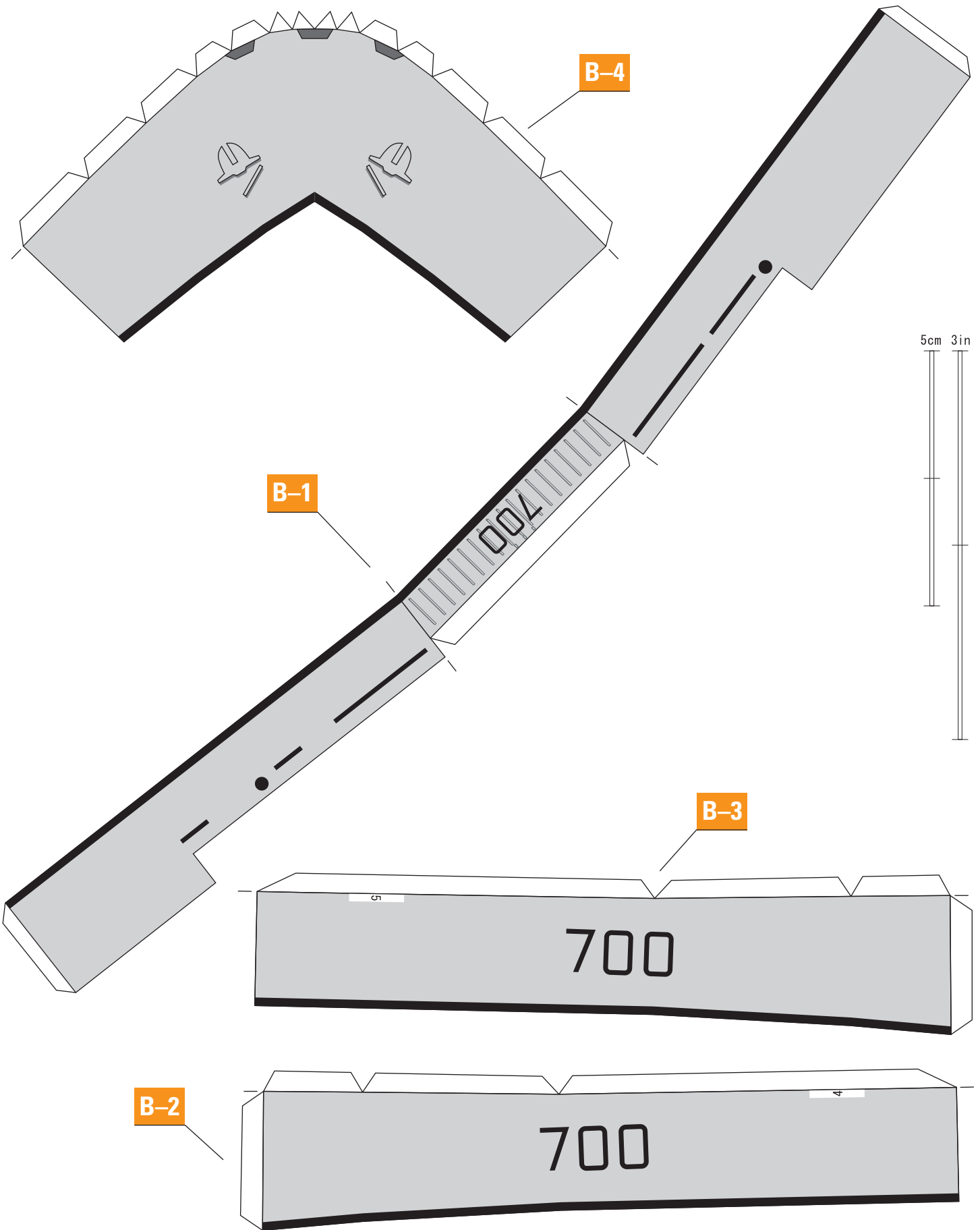
A-1

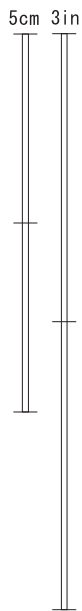
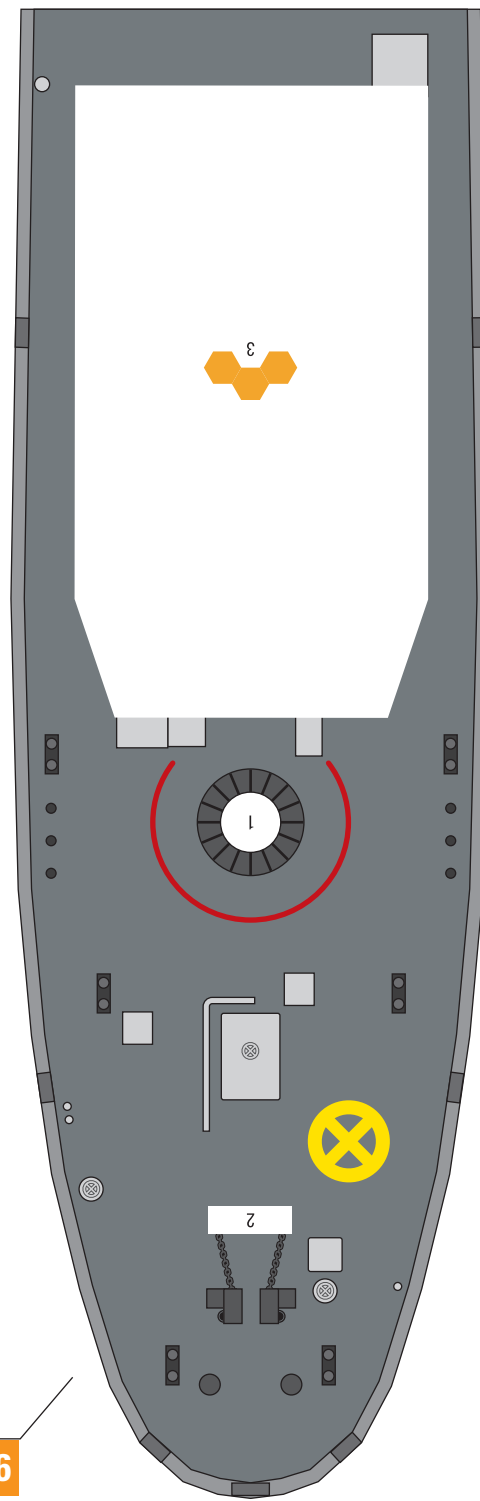
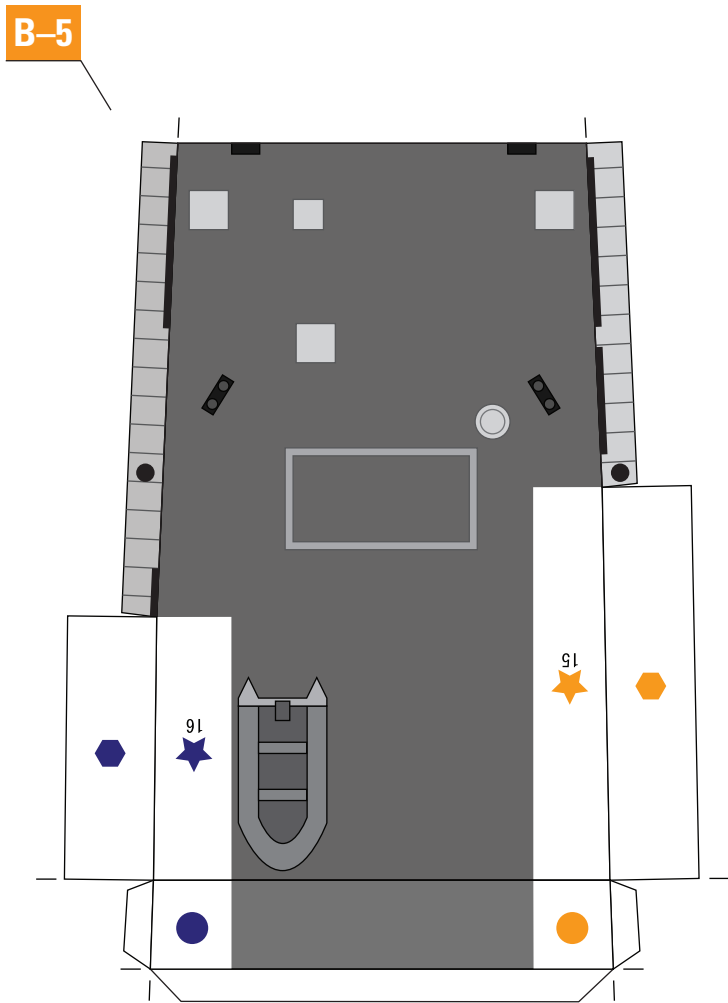
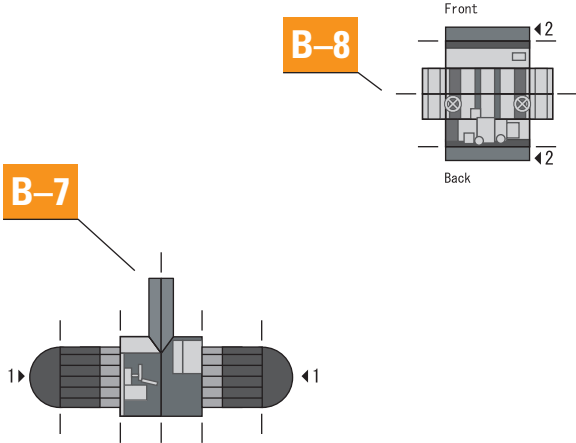
A-2

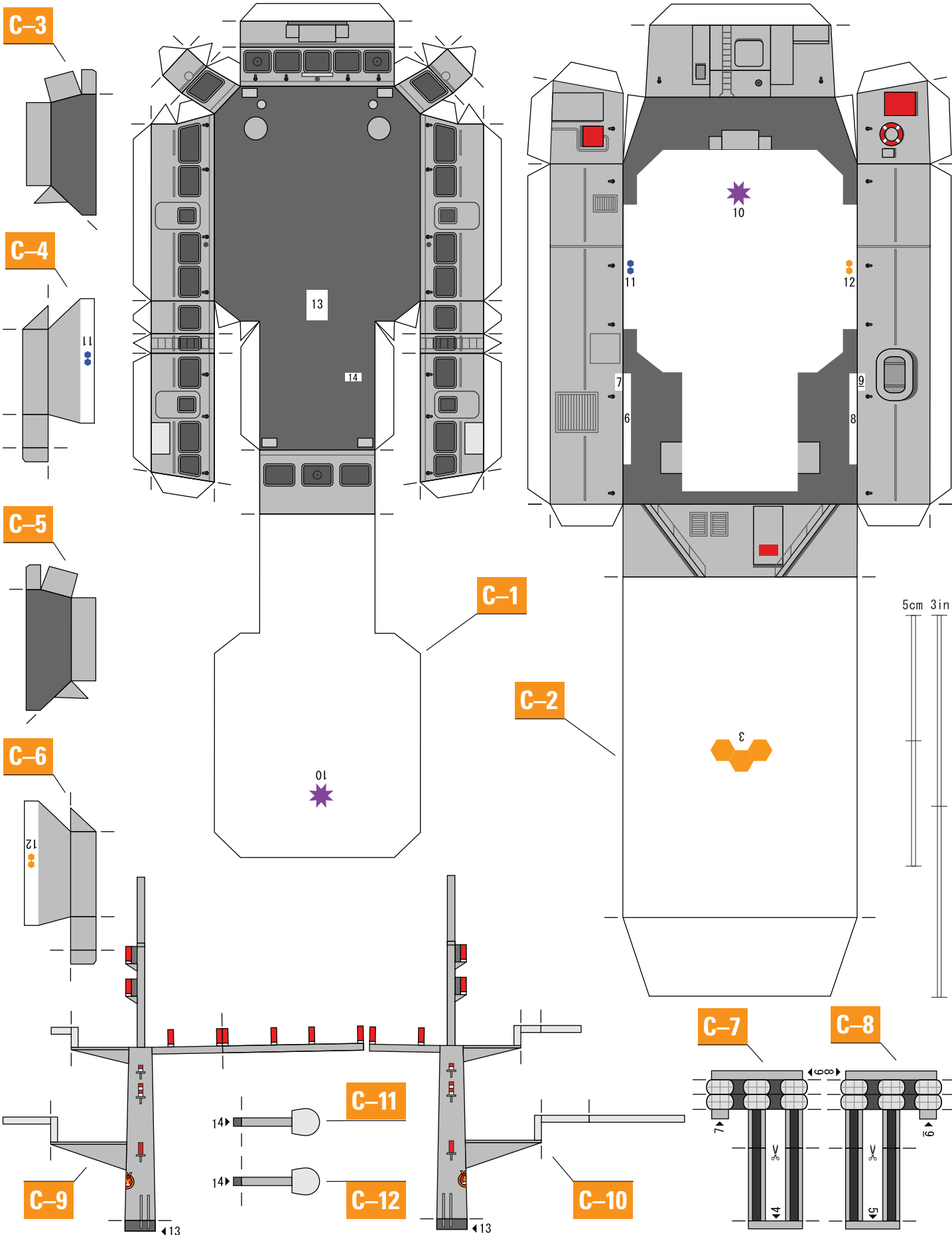
A-2

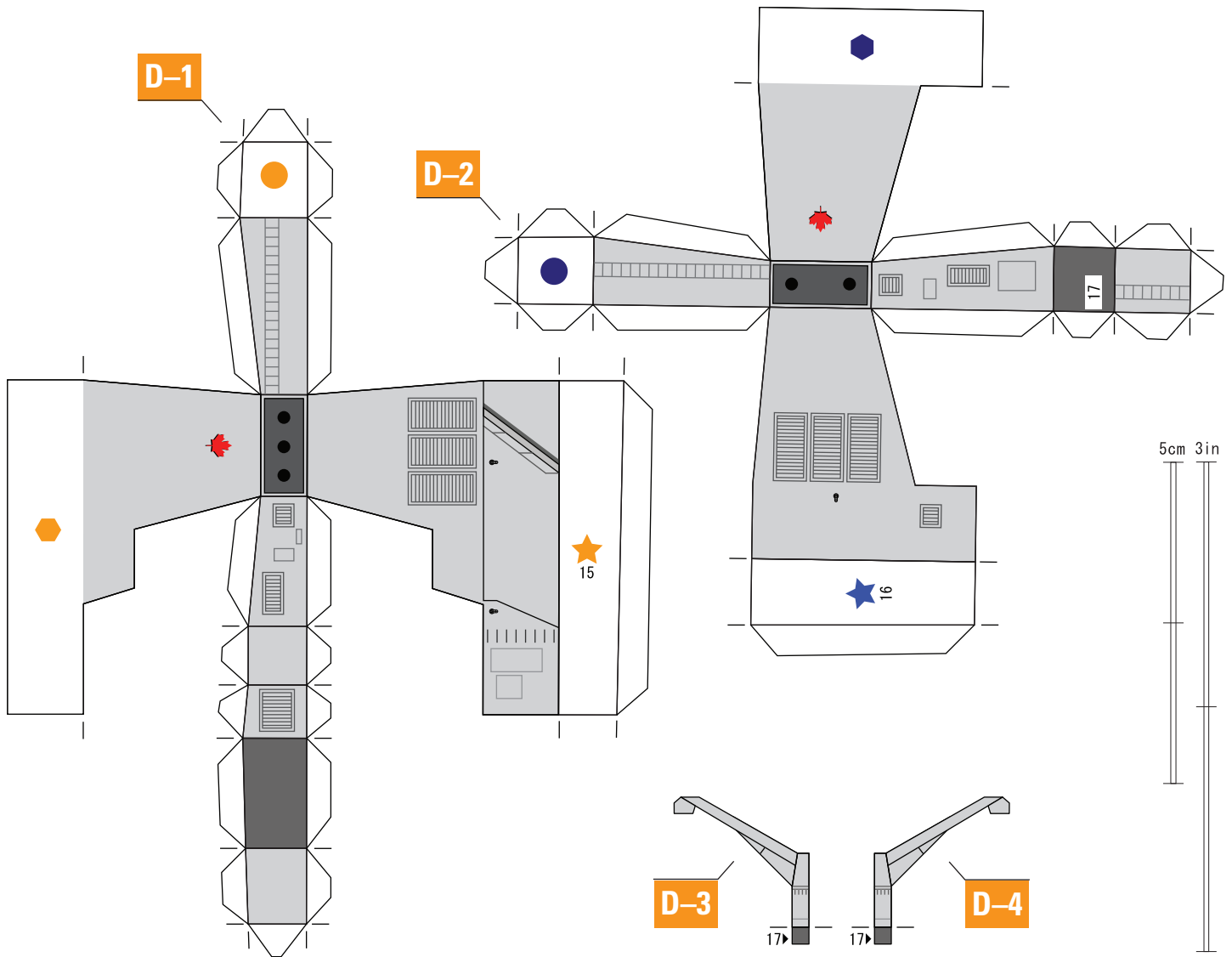
A-3

A-3









Special Optional Parts for Experts:

