



## KINGSTON Class MCDV

### Maritime Coastal Defence Vessel (MCDV)

MCDV's are designed to help the Canadian Navy meet coastal defence mandates in the area of national sovereignty. The fleet of 12 MCDV's (6 per coast) are crewed primarily by reservists. This class of ship provides the navy with a dedicated coastal defence capability, and has given the Naval Reserve a challenging mission.

Although MCDV's primary mission is coastal surveillance, the ships perform a wide variety of operational tasks including; mine countermeasures, search and rescue, control of shipping, support to other government departments in the areas of law enforcement, anti-smuggling, resource protection, fisheries and environmental monitoring, counter-terrorism, disaster relief and scientific research. In addition, interchangeable modular payloads provide mine counter measures (MCM) capabilities including mine-sweeping and mine hunting.

**Speed:**  
15 knots

**Endurance:**  
5,000 nautical miles  
at 8 knots

**Complement:**  
40

**Standard Displacement:**  
970 tonnes

**Length:**  
55.3 metres

**Beam:**  
11.3 metres

**Draught:**  
3.4 metres

**Armament:**  
Bofors 40mm gun,  
heavy (.50 calibre)  
machine guns

## Building Instructions

Please be sure to download and print the separate advanced skill model kit document pages on heavyweight paper, as this document only provides the building instructions for the model.



This model kit requires careful cutting and accurate folding skills. Adult supervision is highly recommended, as the required tools can be hazardous if misused.

To get started you will need the following tools:

- a cut-proof work surface
- small precision scissors and/or a modeling knife
- a thin ruler or straightedge for cutting and folding, preferably metal
- a glue stick for paper, or other quick drying glue for paper.

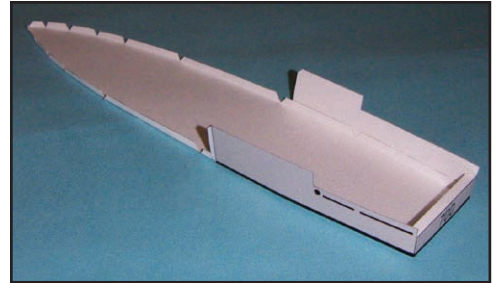
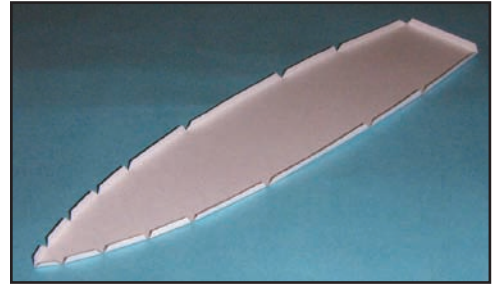
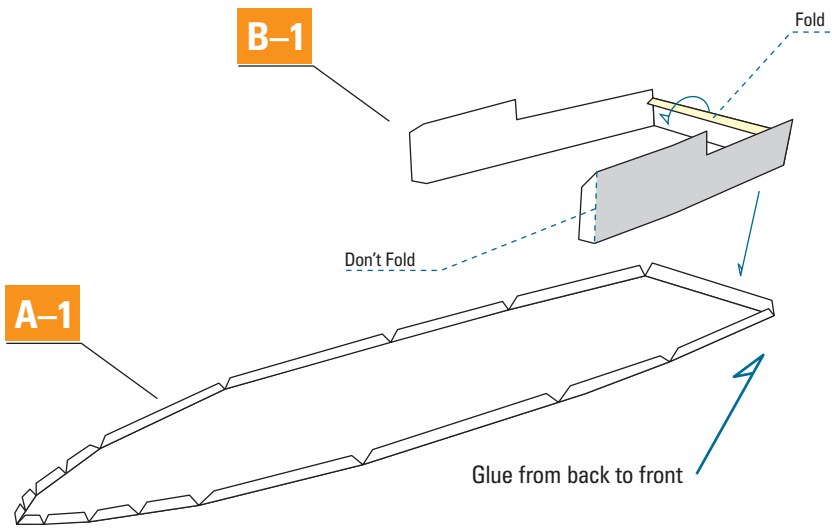
Building this model can be broken down into three distinct tasks:

- cutting the parts from the sheets
- folding along the score lines
- gluing the parts together

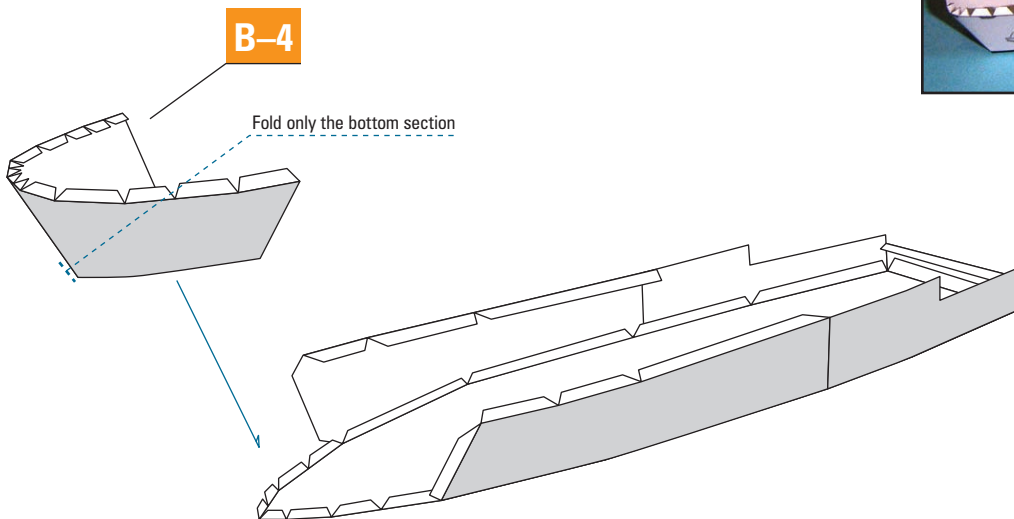
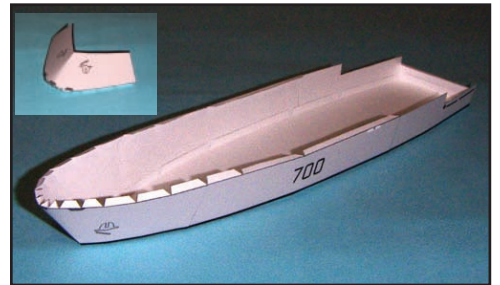
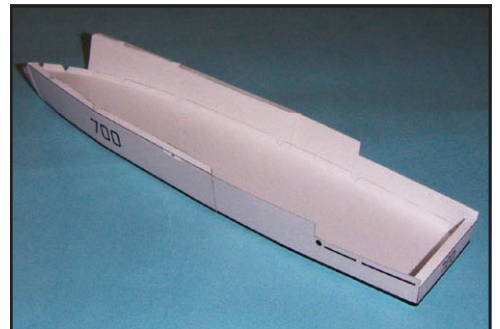
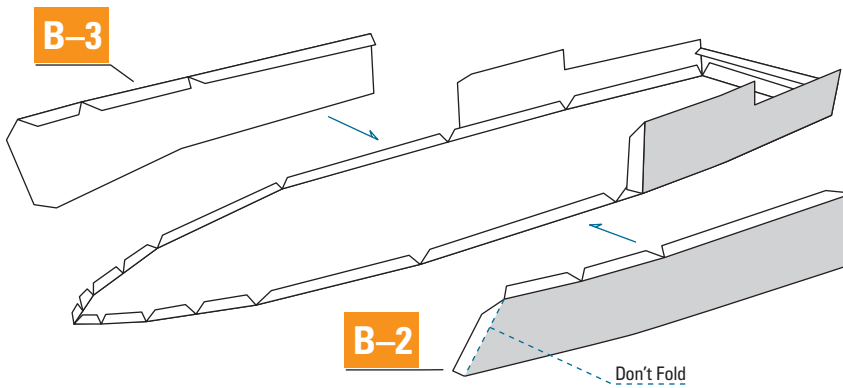
When cutting the parts, you have the choice to cut just inside or outside the black perimeter lines. Cutting inside the perimeter lines is more difficult, but will create visually seamless joints.

Folding the parts is best done by laying the ruler along the fold line and lifting the smaller part to create the fold. Folds are either a "valley" or "mountain" direction. Since some parts contain multiple folds, occasionally it will be necessary to fold, and then flatten again, to proceed to the next fold. Once all the fold lines are done, the part can then be shaped into its final configuration for placement and gluing.

# 1 Bottom & Stern

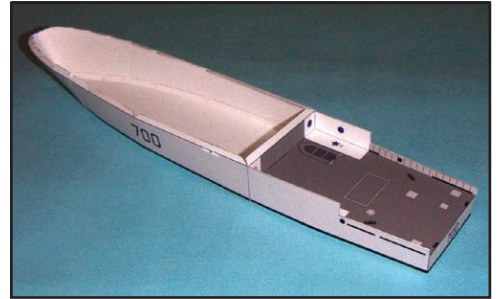
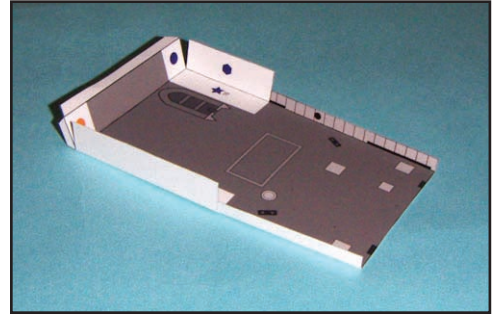
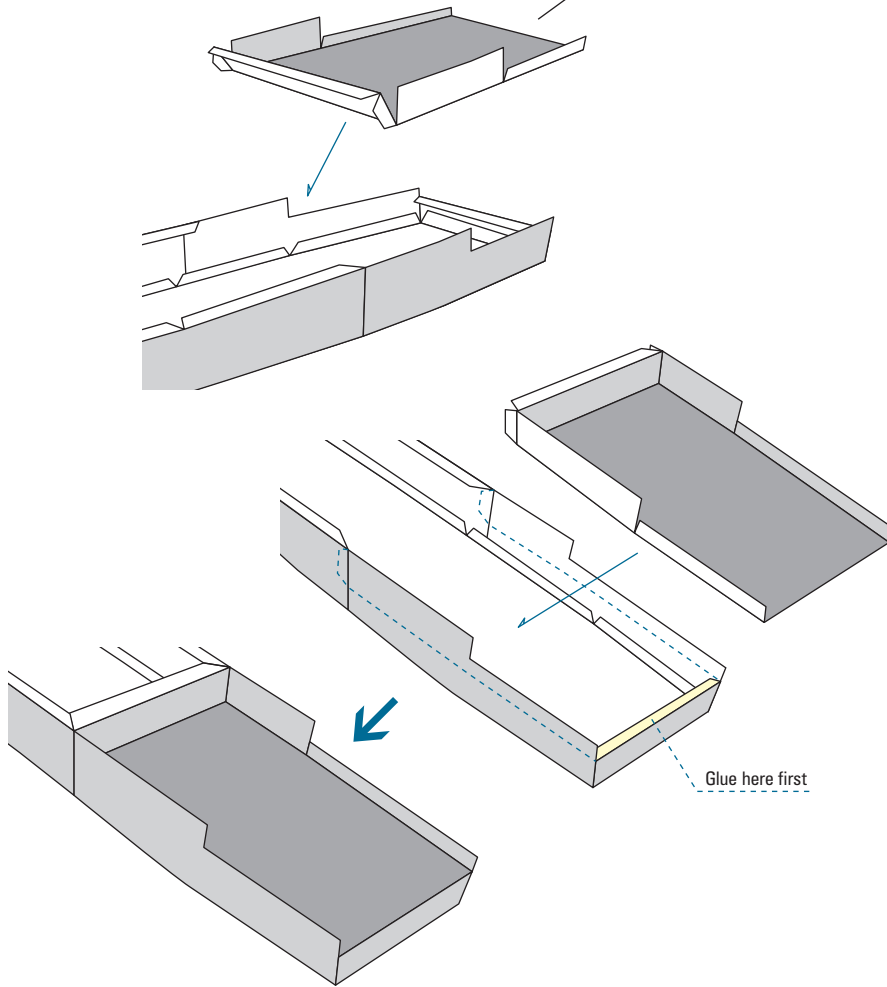


# 2 Hull & Bow



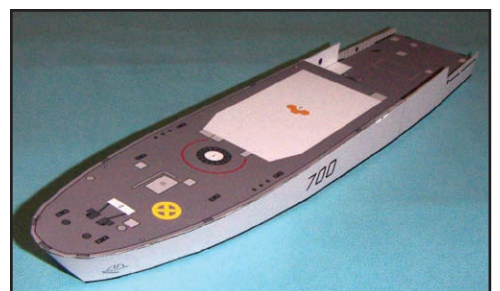
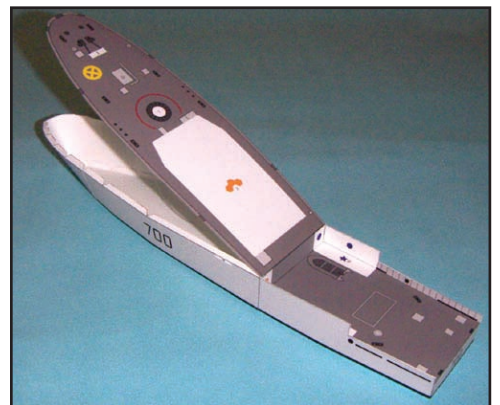
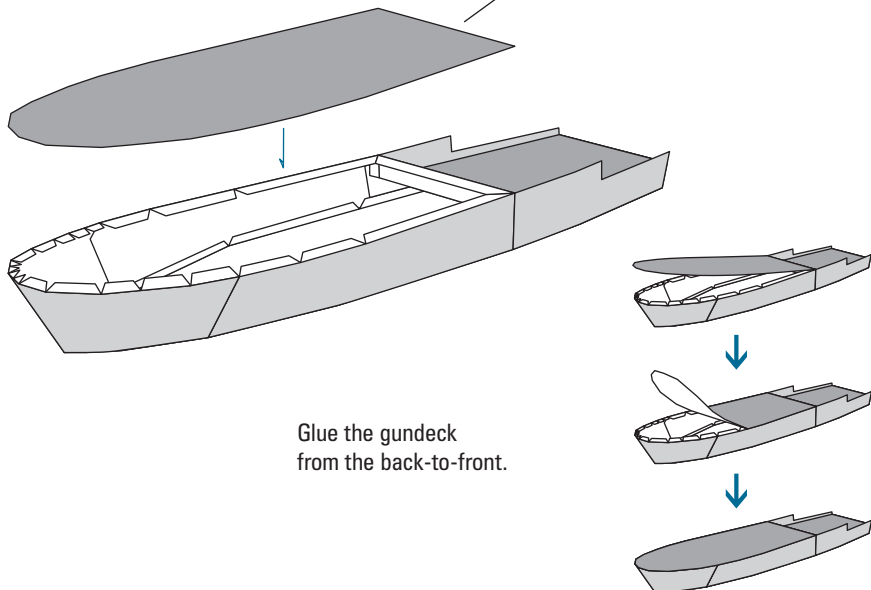
### 3 Quarterdeck

B-5

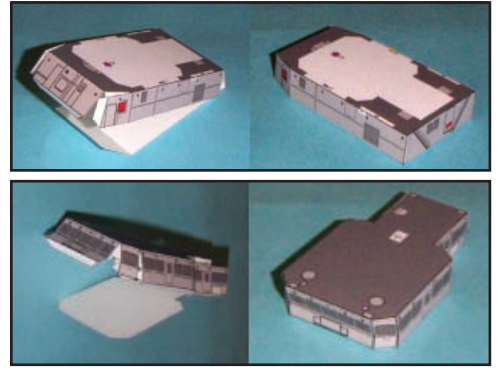
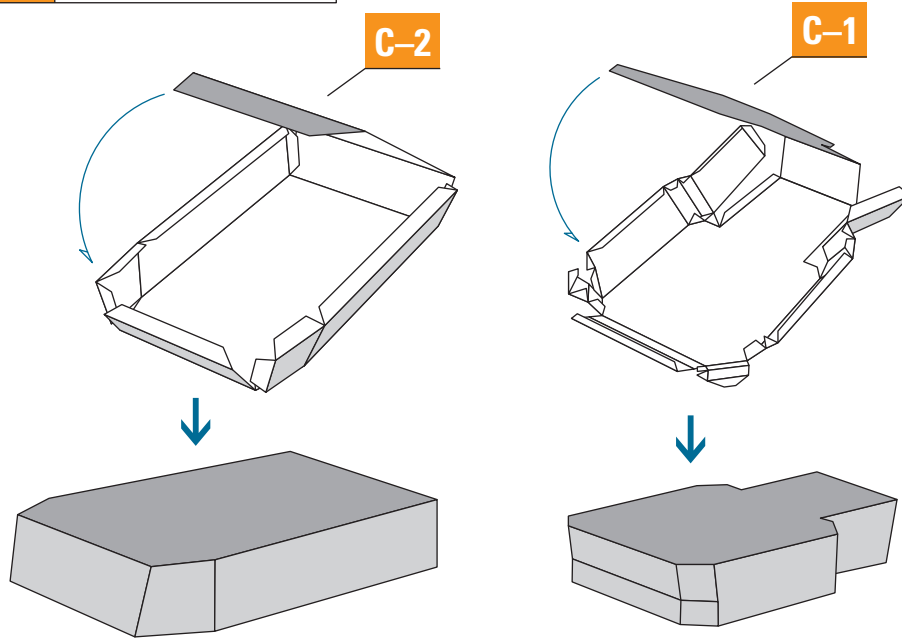


### 4 Gundeck

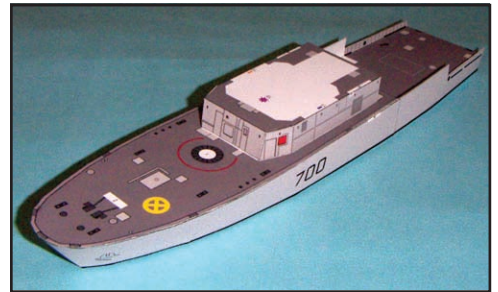
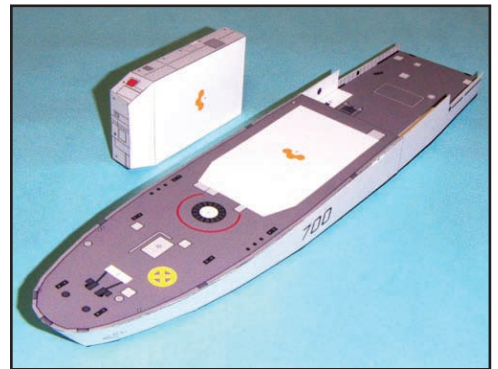
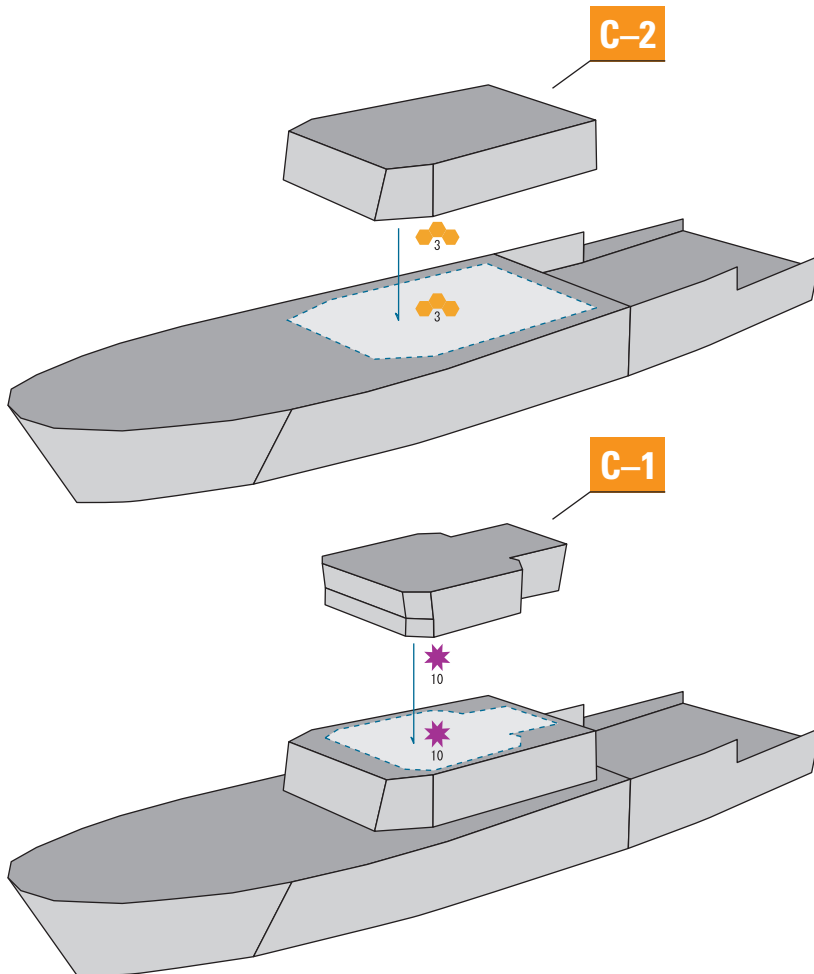
B-6



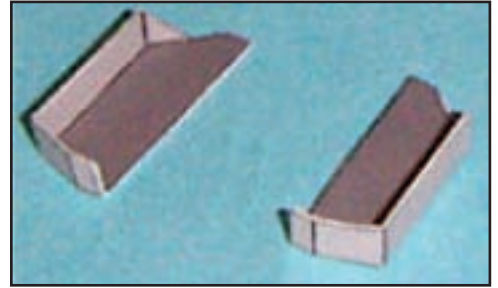
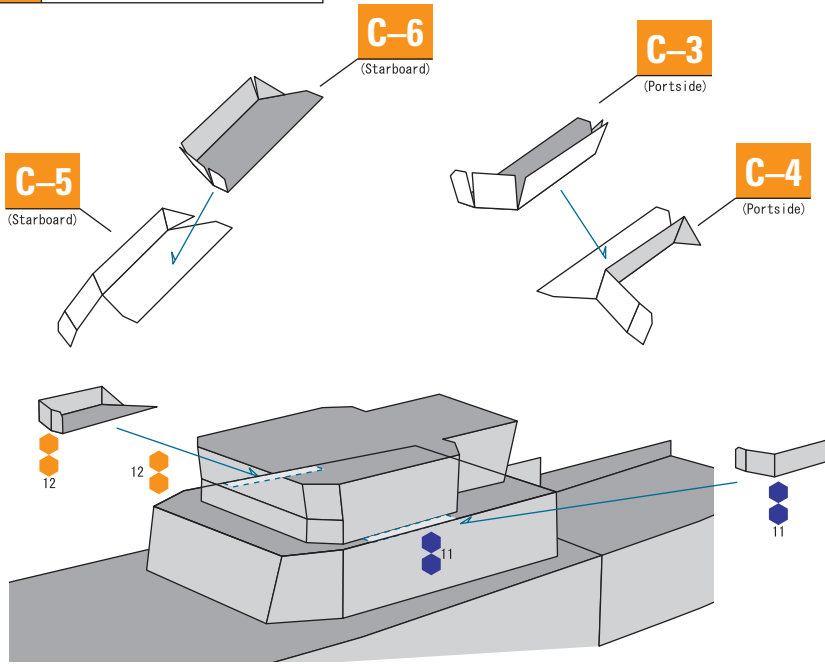
**5 Bridge**



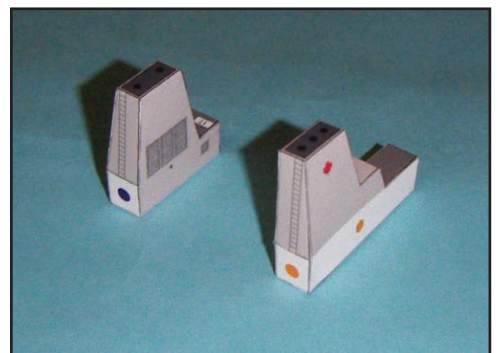
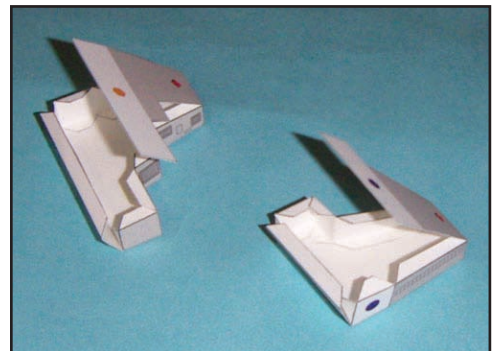
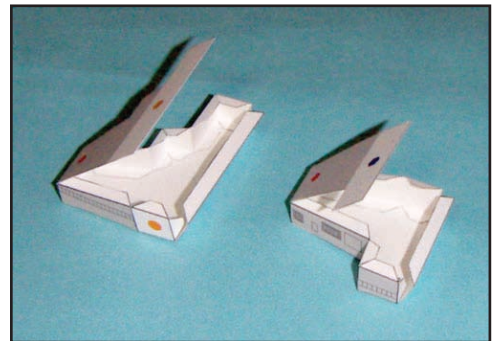
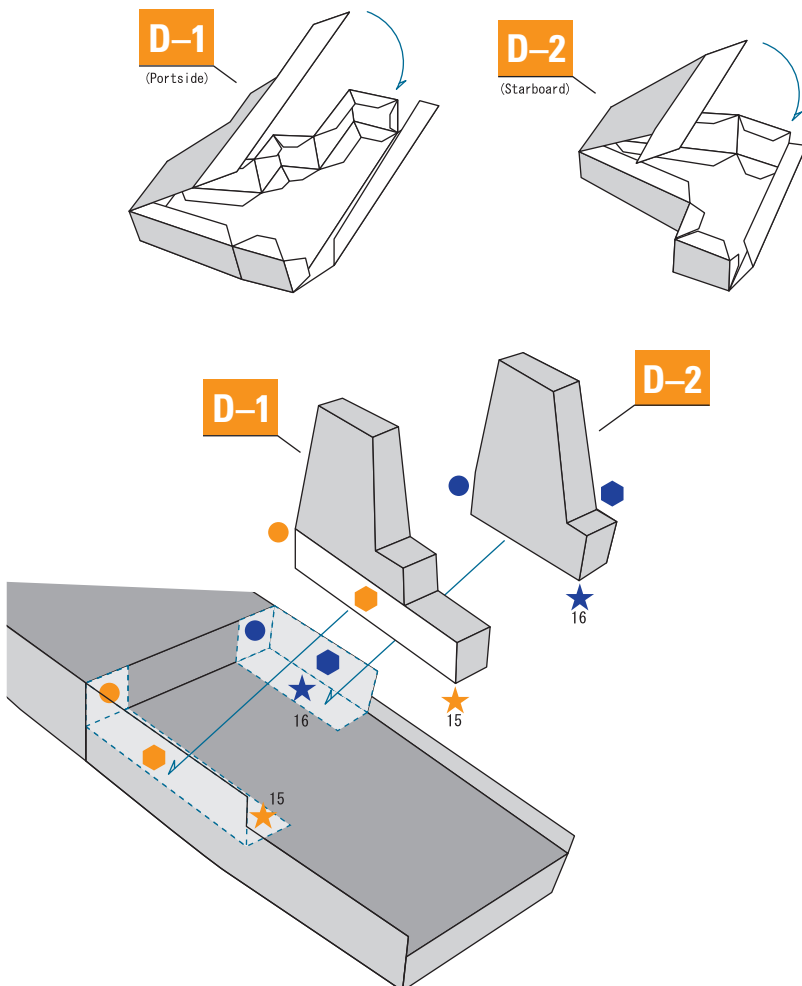
**6 Bridge Attachment**



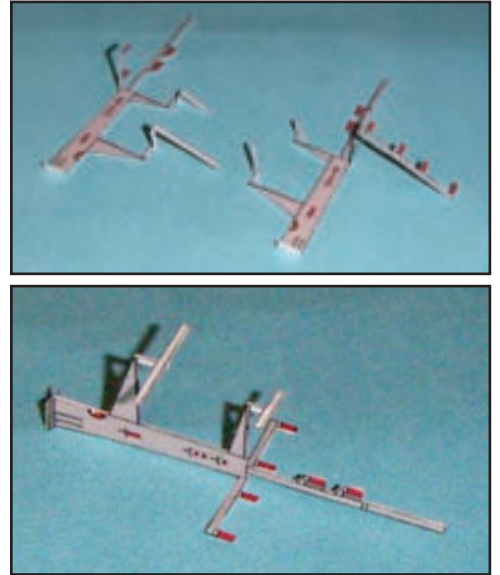
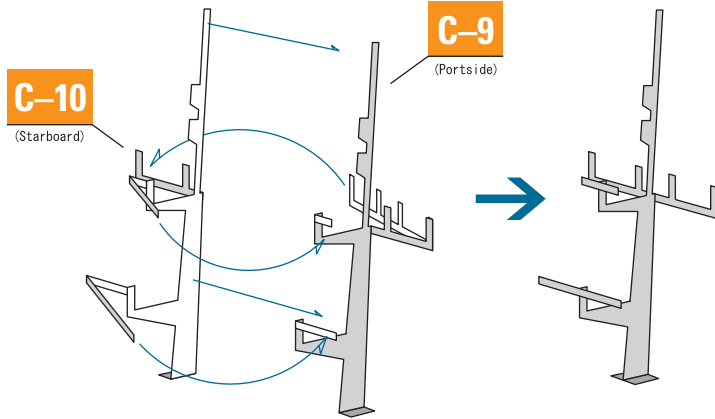
## 7 Bridge wings



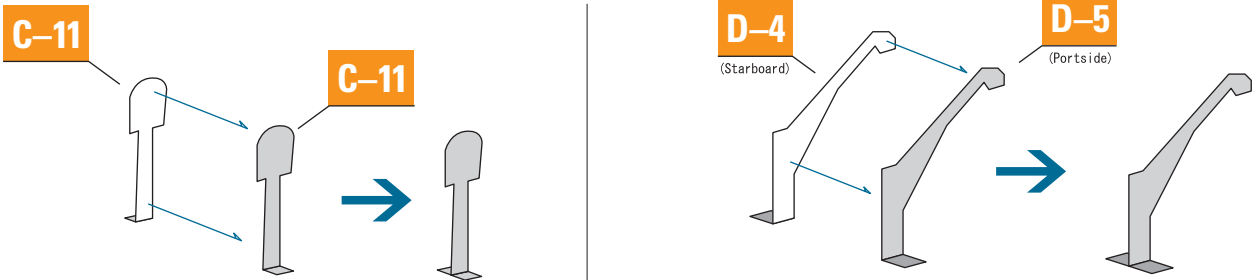
## 8 Funnels



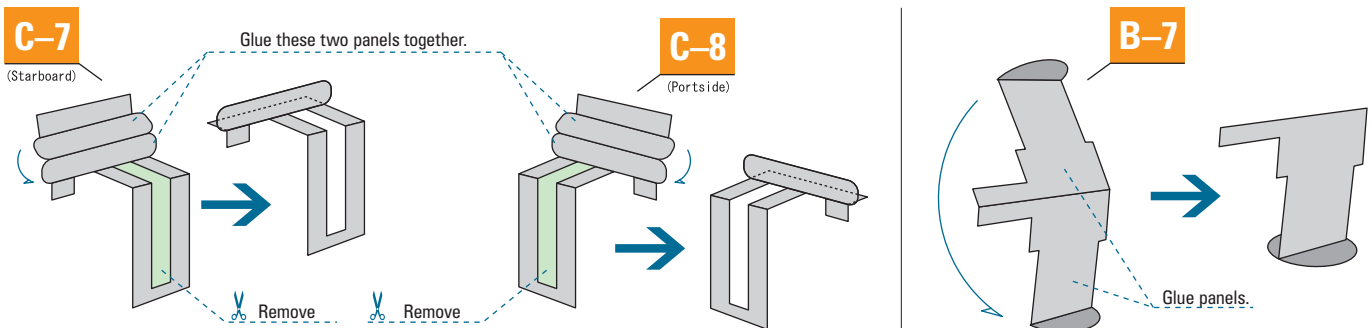
## 9 Mast



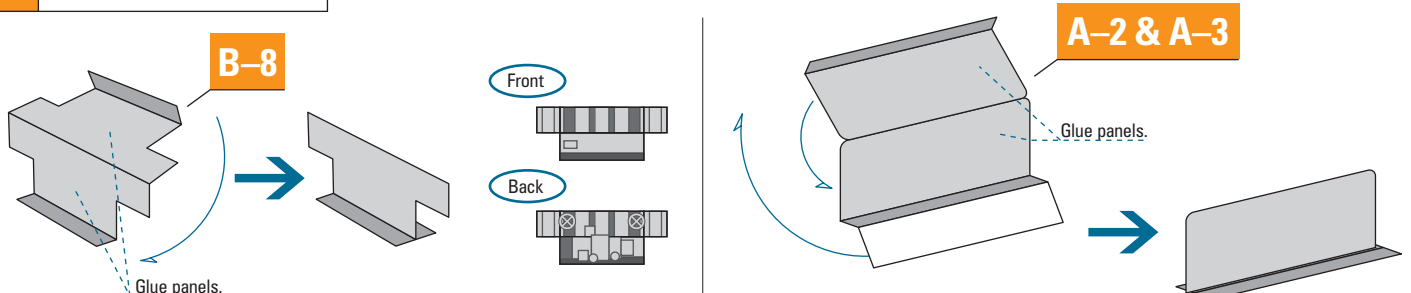
## 10 Antenna & Crane



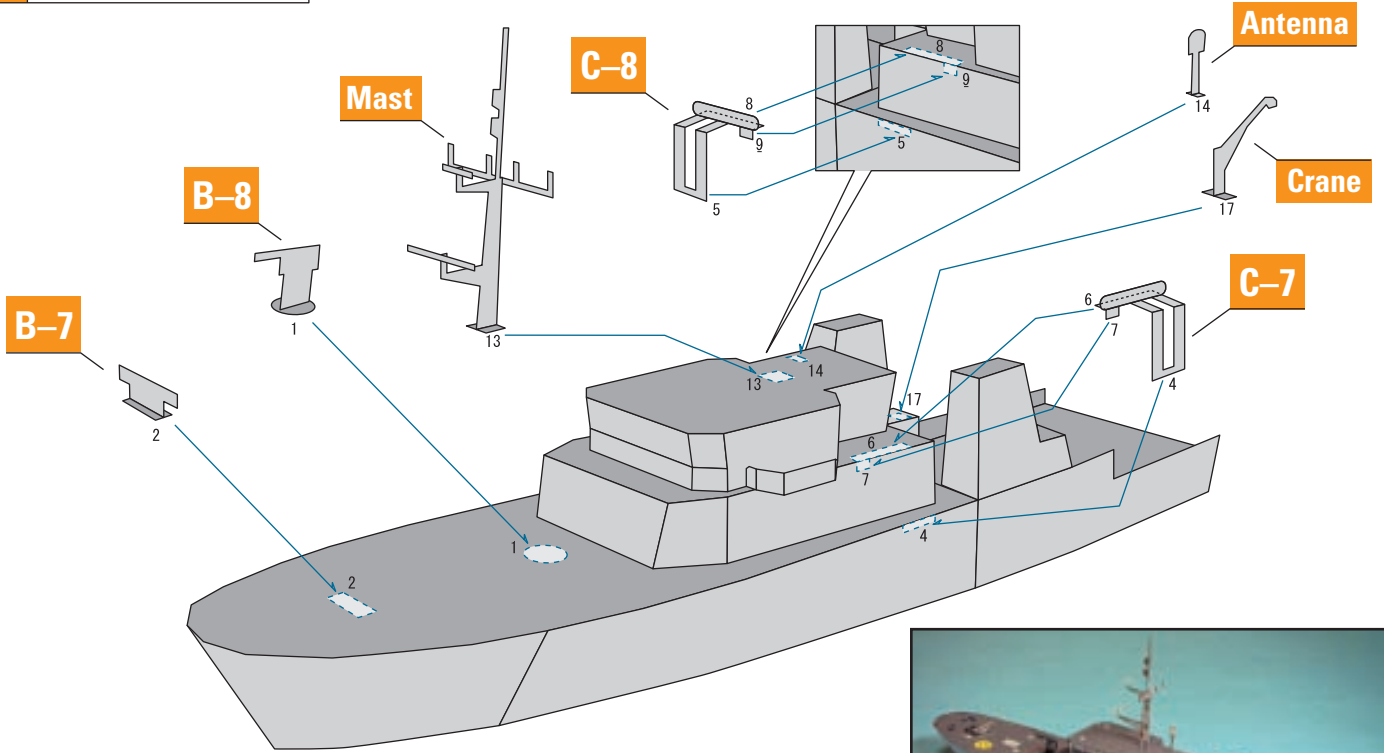
## 11 Liferaft & Canon



## 12 Windlass & Crew



# 13 Final Assembly



# OP Optional expert parts installation

Note: Most of these parts replace parts called for in step 13.

